

## FSR 700/650 FSD 700/650



### WEIGHT RATINGS\*

**GVM** 14,000 kg / 12,000 kg  
**GCM** 20,000 kg

### ENGINE

**POWER** 191 kW @ 2,400 rpm  
**TORQUE** 761 Nm @ 1,450 - 2400 rpm

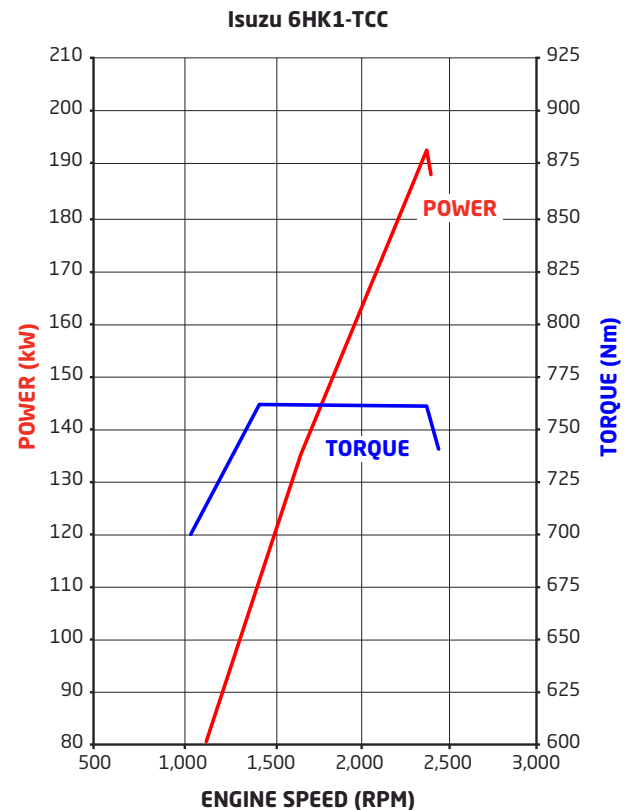
### TRANSMISSION

6 speed manual transmission (MT)  
6 speed automatic transmission (AT)

\* Refer to back page for detailed weight rating information

ENGINE	
<b>DESCRIPTION</b>	Isuzu 6HK1-TCC
<b>TYPE</b>	6 cylinder 24 valve SOHC
<b>DISPLACEMENT</b>	7,790 cc
<b>COMPRESSION RATIO</b>	17.5:1
<b>BORE X STROKE</b>	115 mm x 125 mm
<b>POWER</b>	191 kW (260PS) @ 2,400 RPM (DIN NET)
<b>TORQUE</b>	761 Nm @ 1,450 RPM - 2,400 RPM (DIN NET)
<b>INDUCTION</b>	Electronically controlled variable nozzle turbocharger with air-to air intercooler.
<b>FUEL INJECTION</b>	Direct injection high pressure common rail system.
<b>EMISSION CONTROL</b>	Cooled EGR with exhaust Diesel Particulate Diffuser (DPD). ADR 80/03 (Euro V / EEV) compliant.

INTELLIGENT SAFETY		
<b>ACTIVE SAFETY</b>	Anti Lock Braking System	<b>(ABS)</b>
	Anti Skid Regulator - except AT models	<b>(ASR)</b>
	Hill Start Aid - except AT models	<b>(HSA)</b>
	Cab Tilt Warning	<b>(CTW)</b>
<b>PASSIVE SAFETY CABIN OCCUPANT SAFETY SYSTEMS (COSS)</b>	Driver & front passenger airbags	
	Driver & front left hand passenger seatbelt pretensioners	
	ECE-R29 cab with side anti-intrusion beams	
	Door mounted cornering lights for FSR 700 auto only	



### ISUZU WARRANTY COVER

**WARRANTY** 5 year / 300,000 km Warranty#

TRANSMISSION							
MT	CLUTCH	<b>Type:</b> Single plate with air assisted hydraulic control					
		<b>Clutch plate diameter:</b> 381 mm					
		<b>Clutch lining area:</b> 1,363 cm <sup>2</sup>					
	GEARBOX	<b>Description:</b> Isuzu MZW-6P					
		<b>Type:</b> 6 speed with synchromesh on gears 2-6					
<b>Ratios:</b>							
<b>1st</b>		<b>2nd</b>	<b>3rd</b>	<b>4th</b>	<b>5th</b>	<b>6th</b>	<b>Rev</b>
	6.615	4.095	2.358	1.531	1.000	0.722	6.615
<b>Power Take Off facility:</b> PTO provision on LHS of transmission case							
<b>Other features:</b> Air assisted shift, full pressure oil lubrication							
AT	<b>Description:</b> Allison LCT2500						
	<b>Type:</b> 6 speed automatic						
	<b>Ratios:</b>						
	<b>1st</b>	<b>2nd</b>	<b>3rd</b>	<b>4th</b>	<b>5th</b>	<b>6th</b>	<b>Rev</b>
		3.51	1.90	1.44	1.00	0.74	0.64
<b>Power Take Off facility:</b> LHS and RHS PTO openings on transmission case. Torque convertor turbine driven PTO drive gear.							
<b>Other features:</b> Allison long life TranSynd synthetic fluid							

AXLES	
FRONT	<b>Description:</b> Isuzu F050
	<b>Type:</b> Reverse Elliot I-beam
	<b>Capacity:</b> 5,000 kg
REAR	<b>Description:</b> Isuzu R090
	<b>Type:</b> Single drive
	<b>Capacity:</b> 9,000 kg
	<b>Ratio:</b> MT: 4.555, AT: 5.125

SUSPENSION			
FRONT	<b>Type:</b>	Single stage alloy steel taper-leaf springs	
	<b>Other features:</b>	Double acting hydraulic shock absorbers. Stabiliser bar.	
REAR	FSR	<b>Type:</b>	Multi-leaf main spring, multi leaf helper spring
		<b>Description:</b>	Hendrickson HAS200
	FSD	<b>Type:</b>	Airbag
		<b>Capacity:</b>	9,000kg at ground

BRAKES	
<b>TYPE</b>	Air over hydraulic dual circuit front and rear drum brakes.
<b>DIAMETER X WIDTH FRONT</b>	370 x 150mm
<b>DIAMETER X WIDTH REAR</b>	370 x 150mm
<b>PARK BRAKE</b>	Spring park brake acting on all rear wheels
<b>AUXILIARY BRAKE</b>	Air controlled exhaust brake

STEERING	
<b>TYPE</b>	Power assisted recirculating ball
<b>GEAR RATIO</b>	16.1 - 18.8:1
<b>TURNS LOCK TO LOCK</b>	4.1
<b>WHEEL LOCK ANGLE</b>	44° (inside wheel) / 34° (outside wheel)

WHEELS & TYRES		
FRONT	<b>Wheels:</b>	19.5 x 6.75 eight stud ISO standard steel wheels
	<b>Tyres:</b>	265/70R19.5 140/138M
	<b>Steer axle tyre rating</b>	5,000 kg
REAR	<b>Wheels:</b>	19.5 x 6.75 eight stud ISO standard steel wheels
	<b>Tyres:</b>	265/70R19.5 140/138M
	<b>Drive axle tyre rating:</b>	9,440 kg
<b>Spare:</b> Spare wheel and tyre assembly supplied. Winch type carrier		

CHASSIS FRAME	
<b>TYPE</b>	Cold rivetted ladder frame with parallel side rails.
<b>MATERIAL</b>	HT540A steel sidemembers
<b>DIMENSIONS</b>	<b>Side rail (mm):</b> 225 x 70 x 6.0 <b>Rear frame width (mm):</b> 840

FUEL TANK	
<b>TYPE</b>	Frame mounted steel fuel tank
<b>CAPACITY</b>	200L
<b>FUEL CAP</b>	Lockable

ELECTRICAL SYSTEM	
<b>TYPE</b>	24 volt
<b>ALTERNATOR</b>	90 amp
<b>STARTER MOTOR</b>	5.0 kW
<b>BATTERY</b>	2 x 115E41L (651 CCA) batteries connected in series
<b>CAN BUS PROVISION</b>	Underdash CAN system access plug for connection to a Fleet Management System (FMS) (not supplied)

CABIN GENERAL FEATURES	
<b>ENGINE ACCESS</b>	Manual cab tilt to 45° with torsion bar assistance
<b>STEPS</b>	Heavy duty anti slip steps
<b>DOORS</b>	90° opening internally reinforced front doors
<b>MIRRORS</b>	Heated and powered exterior main mirrors with flat glass & additional independantly adjustable convex "spot" mirrors
<b>WIPERS</b>	Two speed windscreen wipers with intermittent wipe mode
<b>EXTERIOR LIGHTING</b>	LED main beam & halogen high beam headlamp assembly with position lamp
	Roof mounted clearance lamps
	Front foglamps
<b>AUDIBLE WARNING</b>	Reverse alarm
<b>GRILLE</b>	Body coloured
<b>FRONT BUMPER</b>	Body coloured air dam type
<b>SECURITY</b>	Central locking with remote keyless entry & immobiliser

CABIN INTERIOR	
<b>SEATING</b>	Isri 6860/875 NTS air suspension driver's seat
	Front passenger adjustable bucket seat & front centre seat with folding seat back
<b>SEATBELTS</b>	3-point lap sash seatbelts in all outboard seating positions. Driver seatbelt integrated with driver seat. Centre seat lap belts.
<b>STEERING COLUMN</b>	Tilt/telescopic adjustable
<b>ENTRY ASSIST GRIPS</b>	Door & roof pillar mounted
<b>DOOR WINDOWS</b>	Electric control
<b>STORAGE</b>	Overhead compartments
	Twin cup holders
	Centre console box & storage tray
	Front door pockets
<b>POWER OUTLET</b>	24V cigarette lighter
<b>AIRCONDITIONING</b>	Manual control
<b>INTERIOR LIGHTING</b>	Fluorescent lamp

AUDIO VISUAL UNIT	
<b>SCREEN TYPE</b>	6.2" LCD with capacitive touch
<b>OPERATING SYSTEM</b>	Android
<b>RADIO</b>	AM / FM
<b>INTERNAL STORAGE CAPACITY</b>	32GB
<b>OTHER CAPABILITY</b>	Bluetooth features. USB 3.0 socket. Provision for external camera inputs, navigation, reverse sensors, and tyre pressure monitoring.

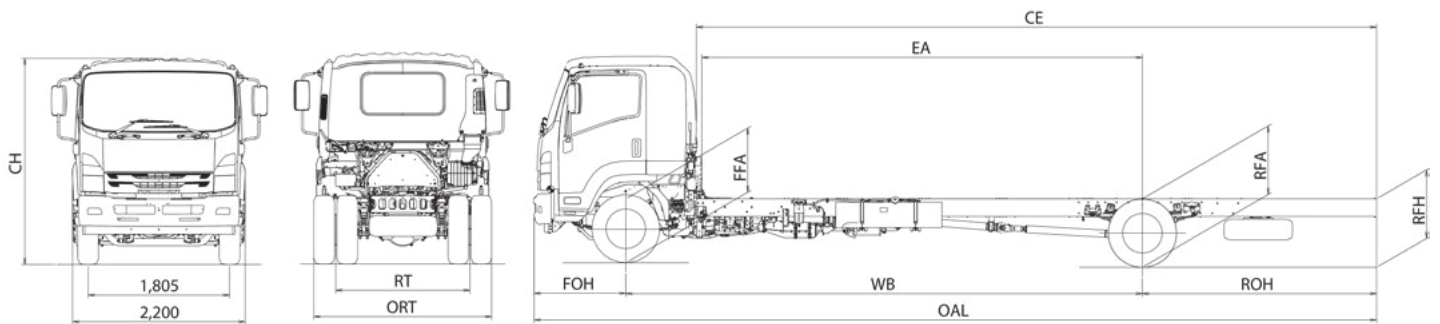
DRIVER CONTROLS	
<b>SAFETY SYSTEMS</b>	ASR on/off (except AT models), HSA on/off/ sensitivity adjust (except AT models)
<b>ENGINE</b>	Idle speed control
	Cruise control
	DPD manual regeneration switch
<b>TRANSMISSION (AT ONLY)</b>	T-bar gear selection control
<b>GENERAL CONTROLS</b>	Headlamp on/off and levelling, windscreen wipers (2 speed and intermittent modes), washers, exhaust brake, turn signals

INSTRUMENTATION	
<b>MULTI INFORMATION DISPLAY</b>	CTW indicator
	Vehicle systems status
	Low fuel level alert
	Fuel consumption information
	Service interval alerts
	Hourmeter
	Adjustable vehicle speed warning
<b>GENERAL INSTRUMENTATION</b>	Speedometer & tachometer
	Digital odometer with integrated dual tripmeters
	Engine coolant temperature, fuel level and air pressure guages

WEIGHTS (kg)							
MODELS	RATINGS*		LOADING LIMIT* (at ground)		CAB CHASSIS WEIGHT #		
	GVM	GCM	FRONT	REAR	FRONT	REAR	TOTAL
FSR 700 AUTO	12,000	20,000	5,000	8,200	2,480	1,395	3,875
FSR 700/650	14,000 / 12,000	20,000	5,000	8,200	2,560	1,445	4,005
FSR 700/650L AUTO	14,000 / 12,000	20,000	5,000	8,200	2,570	1,440	4,010
FSD 700/650	14,000 / 12,000	20,000	5,000	8,200	2,550	1,480	4,030
FSD 700/650 AUTO	14,000 / 12,000	20,000	5,000	8,200	2,560	1,475	4,035

\*Vehicle ratings and front/rear weight limits are subject to government regulatory requirements and weight distribution analysis. Consult your Isuzu dealer to select the correct vehicle for your specific application. #Cab chassis only as supplied and including 10 litres of fuel.

DIMENSIONS (mm)													
MODELS	WB	OAL	FOH	ROH	EA	CE	RT	ORT	CH	FFA (unladen)	RFA (unladen)	RFH (unladen)	TURNING CIRCLE KERB TO KERB (m)
FSR 700 AUTO	3,790	6,555	1,170	1,595	2,770	4,490	1,705	2,240	2,665	745	885	940	13.6
FSR 700/650L AUTO & MT	5,560	9,155	1,170	2,425	4,575	7,090	1,705	2,240	2,665	755	885	925	19.9
FSD 700/650 AUTO / MT	5,560	9,155	1,170	2,425	4,575	7,090	1,705	2,240	2,665	755	855	890	19.9



PERFORMANCE (calculated - typical paved road)				
		GEARED SPEED <sup>~</sup> (top gear at peak power engine rpm)	LOW SPEED GRADEABILITY (lowest forward gear assuming no wheel slip)	ENGINE SPEED (top gear at 90 km/h)
FSR/FSD 650	at 12,000 kg GVM	116 km/h @ 2,400 rpm	41%	1,850 rpm
FSR/FSD 650 AUTO	at 12,000 kg GVM	116 km/h @ 2,400 rpm	39%	1,845 rpm
FSR/FSD 700	at 14,000 kg GVM	116 km/h @ 2,400 rpm	35%	1,850 rpm
FSR/FSD 700 AUTO	at 14,000 kg GVM	116 km/h @ 2,400 rpm	33%	1,845 rpm

\*Maximum speed achievable depends on vehicle frontal area as well as other factors. Consult your Isuzu dealer for more detailed information. Standard 100km/h speed limiter.

ORDER CODES	
MODELS	CODES
FSR 700	FS0116
FSR 650	FS1116
FSR 700 AUTO	FS2022
FSR 700L AUTO	FS2116
FSR 650L AUTO	FS2416
FSD 700	FS0316
FSD 650	FS1316
FSD 700 AUTO	FS2216
FSD 650 AUTO	FS2516

#Total 5 Year Warranty, including Base Warranty (36 months / 150,000kms) and Additional Warranty (24 months / 150,000kms), cover is 60 months or 300,000kms, whichever comes first. To qualify for Additional Warranty, all scheduled servicing during the Base and Additional Warranty periods (ie. the total 60 months) must be performed by an authorised Isuzu service dealer from the date of delivery to the first customer. If scheduled servicing is performed by unauthorised service providers, only the Base Warranty will apply. Tipper bodies are excluded from Additional Warranty. These are covered by Base Warranty only.

The information in this spec sheet was correct at time of printing, but all measurements, specifications and equipment are subject to change without notice. Some equipment may have been changed and/or is available at extra cost. Isuzu New Zealand (INZ) may make changes at any time without notice, in prices, colours, materials, equipment and models. INZ makes all reasonable attempts to ensure the availability of all vehicles and equipment. The information in this spec sheet is general in nature. Your Isuzu dealer can confirm all measurements, specifications and vehicle / equipment availability upon request. To the extent permitted by the law, INZ is not liable to any person as result of reliance on the content of this spec sheet.