

## FSS 550P 4X4 FSS 550 4X4 CREW



### WEIGHT RATINGS\*

GVM	11,000 kg
GCM	16,000 kg

### ENGINE

POWER	154 kW @ 2,400 rpm
TORQUE	726 Nm @ 1,600 rpm

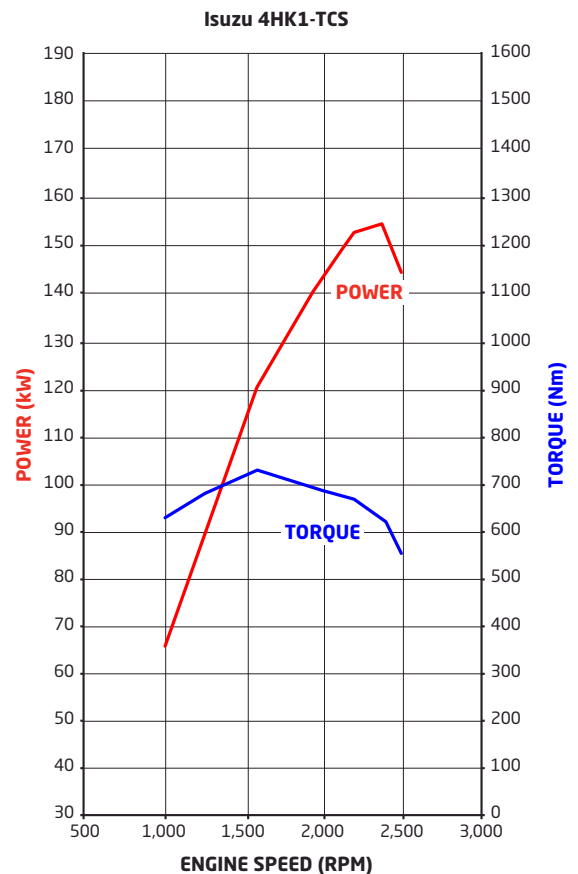
### TRANSMISSION

6 speed manual transmission (MT)

\* Refer to back page for detailed weight rating information

ENGINE	
DESCRIPTION	Isuzu N-4HK1-TCS
TYPE	4 cylinder 16 valve SOHC
DISPLACEMENT	5,193 cc
COMPRESSION RATIO	16.5:1
BORE X STROKE	115 mm x 125 mm
POWER	154 kW (210PS) @ 2,400 RPM (DIN NET)
TORQUE	726 Nm @ 1,600 RPM (DIN NET)
INDUCTION	Low pressure turbocharger and high pressure Variable Geometry System (VGS) turbocharger sequentially operated and with with air-to air intercooler.
FUEL INJECTION	Direct injection high pressure common rail system. Exhaust pipe fuel injection for DPD regeneration.
EMISSION CONTROL	Cooled EGR with exhaust Diesel Particulate Diffuser (DPD) . ADR 80/03 (Japan PNLT) compliant.
ENGINE DRIVEN PTO (OPTION CREW CAB)	Constant mesh. Rotates at 0.7 x engine speed. 353 Nm maximum output torque, anti-clockwise from the rear.

INTELLIGENT SAFETY		
ACTIVE SAFETY	Anti Lock Braking System (active in high range)	(ABS)
	Hill Start Aid	(HSA)
	Cab Tilt Warning	(CTW)
PASSIVE SAFETY CABIN OCCUPANT SAFETY SYSTEMS (COSS)	Driver & front passenger airbags	
	Driver & front left hand passenger seatbelt pretensioners	
	ECE-R29 cab with side anti-intrusion beams	



### ISUZU WARRANTY COVER

WARRANTY	3 year / 150,000 km Warranty#
----------	-------------------------------

TRANSMISSION							
MT	CLUTCH	<b>Type:</b> Single plate with air assisted hydraulic control					
		<b>Clutch plate diameter:</b> 352 mm					
		<b>Clutch lining area:</b> 1,164 cm <sup>2</sup>					
	GEARBOX	<b>Description:</b> Isuzu MZW-6P					
		<b>Type:</b> 6 speed with synchromesh on gears 2-6					
<b>Ratios:</b>							
<b>1st</b>		<b>2nd</b>	<b>3rd</b>	<b>4th</b>	<b>5th</b>	<b>6th</b>	<b>Rev</b>
	6.615	4.095	2.358	1.531	1.000	0.722	6.615
<b>Power Take Off facility:</b> PTO provision on LHS of transmission case							
<b>Other features:</b> Air assisted shift, full pressure oil lubrication							
TRANSFER GEARBOX	<b>Description:</b> Isuzu TF036						
	<b>Type:</b> Part time 4WD						
	<b>Ratio:</b> High: 1.00, Low: 2.091						

AXLES	
FRONT	<b>Description:</b> Isuzu FD039
	<b>Type:</b> Single drive with Birfield outer joints
	<b>Other features:</b> Permanently engaged front hubs
	<b>Capacity:</b> 3,900 kg
	<b>Ratio:</b> 6.500
REAR	<b>Description:</b> Isuzu R077
	<b>Type:</b> Single drive
	<b>Other features:</b> "No Spin" differential lock
	<b>Capacity:</b> 7,700 kg
	<b>Ratio:</b> 6.500

SUSPENSION	
FRONT	<b>Type:</b> Single stage alloy steel multi-leaf springs
	<b>Other features:</b> Double acting hydraulic shock absorbers.
REAR	<b>Type:</b> Multi-leaf main spring, multi leaf helper spring

BRAKES	
<b>TYPE</b>	Air over hydraulic dual circuit front and rear drum brakes.
<b>DIAMETER X WIDTH FRONT</b>	400 x 115 mm
<b>DIAMETER X WIDTH REAR</b>	410 x 115 mm
<b>PARK BRAKE</b>	Spring park brake acting on all rear wheels
<b>AUXILIARY BRAKE</b>	Air controlled exhaust brake

STEERING	
<b>TYPE</b>	Power assisted recirculating ball
<b>GEAR RATIO</b>	16.1 - 18.8:1
<b>TURNS LOCK TO LOCK</b>	2.8
<b>WHEEL LOCK ANGLE</b>	36° (inside wheel) / 30° (outside wheel)

WHEELS & TYRES		
FRONT	<b>Wheels:</b>	22.5 x 6.75 eight stud steel wheels
	<b>Tyres:</b>	9R22.5 136/134L Toyo M608z Tubeless
	<b>Steer axle tyre rating</b>	4,480 kg
REAR	<b>Wheels:</b>	22.5 x 6.75 eight stud steel wheels
	<b>Tyres:</b>	9R22.5 136/134L Toyo M608z Tubeless
	<b>Drive axle tyre rating:</b>	8,480 kg
<b>Spare:</b> Spare wheel and tyre assembly supplied. Winch type carrier		

CHASSIS FRAME	
<b>TYPE</b>	Cold rivetted ladder frame with parallel side rails.
<b>MATERIAL</b>	SAPH440 steel sidemembers
<b>DIMENSIONS</b>	<b>Side rail (mm):</b> 229 x 71 x 8.0 <b>Rear frame width (mm):</b> 840

FUEL TANK	
<b>TYPE</b>	Frame mounted steel fuel tank
<b>CAPACITY</b>	200L
<b>FUEL CAP</b>	Lockable

ELECTRICAL SYSTEM	
<b>TYPE</b>	24 volt
<b>ALTERNATOR</b>	90 amp
<b>STARTER MOTOR</b>	5.0 kW
<b>BATTERY</b>	<b>Single cab:</b> 2 x 115E41L (651 CCA) batteries connected in series <b>Crew cab:</b> 2 x 80D26L (630 CCA) batteries connected in series
<b>CAN BUS PROVISION</b>	Underdash CAN system access plug for connection to a Fleet Management System (FMS) (not supplied).

CABIN GENERAL FEATURES	
<b>ENGINE ACCESS</b>	<b>Single cab:</b> Manual cab tilt to 45° with torsion bar assistance <b>Crew cab:</b> Electro-hydraulic cab tilt
<b>STEPS</b>	Heavy duty anti slip steps
<b>DOORS</b>	90° opening internally reinforced front doors
<b>MIRRORS</b>	Heated and powered exterior main mirrors with flat glass & additional independantly adjustable convex "spot" mirrors
<b>WIPERS</b>	Two speed windscreen wipers with intermittent wipe mode
<b>EXTERIOR LIGHTING</b>	Halogen main beam and halogen high beam headlamp assembly Roof mounted clearance lamps
<b>AUDIBLE WARNING</b>	Reverse alarm
<b>GRILLE</b>	Body coloured
<b>FRONT BUMPER</b>	Body coloured
<b>SECURITY</b>	Central locking with remote keyless entry & immobiliser

CABIN INTERIOR	
<b>SEATING</b>	Isri 6860/875 NTS air suspension driver's seat Front passenger adjustable bucket seat and front centre seat with folding seat back. <b>Crew cab:</b> Rear bench seat with 4 seat capacity
<b>SEATBELTS</b>	3-point lap sash seatbelts in all outboard seating positions. Driver seatbelt integrated with driver seat. Centre seat lap belts.
<b>STEERING COLUMN</b>	Tilt / telescopic adjustable
<b>ENTRY ASSIST GRIPS</b>	Door & roof pillar mounted
<b>DOOR WINDOWS</b>	Electric control
<b>STORAGE</b>	Overhead compartments Twin cup holders Centre console box & storage tray Front door pockets
<b>POWER OUTLET</b>	24V cigarette lighter
<b>AIRCONDITIONING</b>	Manual control
<b>INTERIOR LIGHTING</b>	Fluorescent lamp

AUDIO VISUAL UNIT	
<b>SCREEN TYPE</b>	6.2" LCD with capacitive touch
<b>OPERATING SYSTEM</b>	Android
<b>RADIO</b>	AM / FM
<b>INTERNAL STORAGE CAPACITY</b>	32GB
<b>OTHER CAPABILITY</b>	Bluetooth features. USB 3.0 socket. Provision for external camera inputs, navigation, reverse sensors, and tyre pressure monitoring.

DRIVER CONTROLS	
<b>SAFETY SYSTEMS</b>	HSA on/off/sensitivity adjust
<b>ENGINE</b>	Idle speed control Cruise control DPD manual regeneration switch
<b>GENERAL CONTROLS</b>	Headlamp on/off, windscreen wipers (2 speed and intermittent modes), washers, exhaust brake, turn signals, high/low range and 4WD engage switches

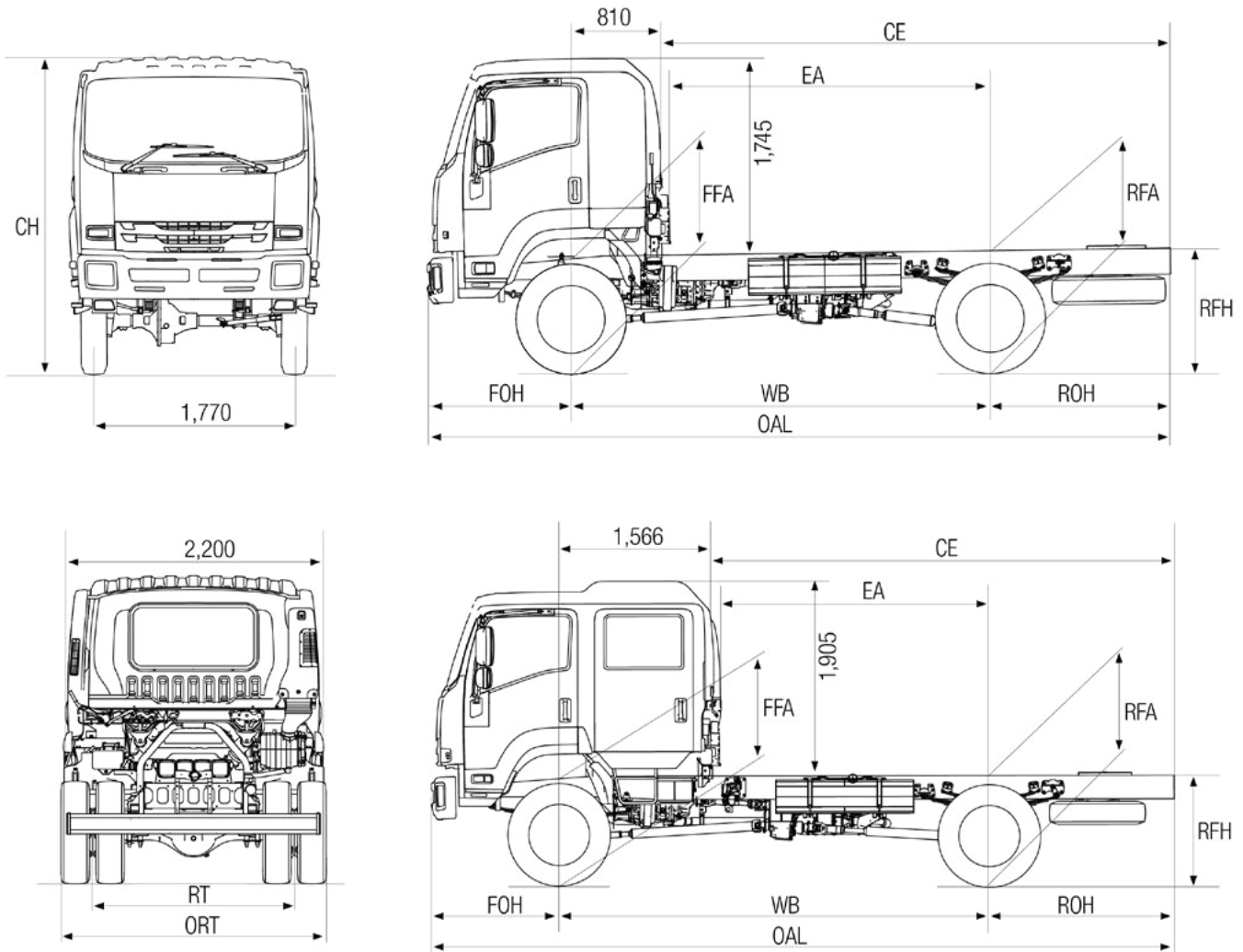
INSTRUMENTATION	
<b>MULTI INFORMATION DISPLAY</b>	CTW indicator Low engine oil level alert Vehicle systems status Low fuel level alert Fuel consumption information Service interval alerts Hourmeter Adjustable vehicle speed warning
<b>GENERAL INSTRUMENTATION</b>	Speedometer & tachometer Digital odometer with integrated dual tripmeters Engine coolant temperature, fuel level and air pressure guages

# FSS 550P 4X4 FSS 550 4X4 CREW

WEIGHTS (kg)							
MODELS	RATINGS*		LOADING LIMIT* (at ground)		CAB CHASSIS WEIGHT #		
	GVM	GCM	FRONT	REAR	FRONT	REAR	TOTAL
FSS 550P 4X4	11,000	16,000	3,900	7,700	2,745	1,505	4,250
FSS 550 4X4 CREW	11,000	16,000	3,900	7,700	2,955	1,550	4,505

\* Vehicle ratings and front/rear weight limits are subject to government regulatory requirements and weight distribution analysis. Consult your Isuzu dealer to select the correct vehicle for your specific application. # Cab chassis only as supplied and including 10 litres of fuel.

DIMENSIONS (mm)													
MODELS	WB	OAL	FOH	ROH	EA	CE	RT	ORT	CH	FFA (unladen)	RFA (unladen)	RFH (unladen)	TURNING CIRCLE KERB TO KERB (m)
FSS 550P	3,700	6,555	1,255	1,600	2,800	4,490	1,702	2,220	2,770	985	1,110	1,150	14.8
FSS 550 CREW	4,200	7,255	1,255	1,800	2,575	4,498	1,702	2,220	2,880	980	1,110	1,145	16.8



PERFORMANCE (calculated - typical paved road)				
		GEARED SPEED <sup>~</sup> (top gear at peak power engine rpm)	LOW SPEED GRADEABILITY (lowest forward gear assuming no wheel slip)	ENGINE SPEED (top gear at 90 km/h)
FSS 550 4X4	at 11,000 kg GVM	91 km/h @ 2,400 rpm	> 100%	2,366 rpm

\* Maximum speed achievable depends on vehicle frontal area as well as other factors. Consult your Isuzu dealer for more detailed information.

ORDER CODES	
MODELS	CODES
FSS 550P 4X4	FS0922
FSS 550 4X4 CREW	FS1922
FSS 550 4X4 CREW PTO	FS2622

# 3 Year Warranty (36 months / 150,000kms) cover is 36 months or 150,000kms, whichever comes first. Cab Perforation Corrosion is limited to 36 months / unlimited kms on all models.

The information in this spec sheet was correct at time of printing, but all measurements, specifications and equipment are subject to change without notice. Some equipment may have been changed and/or is available at extra cost. Isuzu New Zealand (INZ) may make changes at any time without notice, in prices, colours, materials, equipment and models. INZ makes all reasonable attempts to ensure the availability of all vehicles and equipment. The information in this spec sheet is general in nature. Your Isuzu dealer can confirm all measurements, specifications and vehicle / equipment availability upon request. To the extent permitted by the law, INZ is not liable to any person as result of reliance on the content of this spec sheet.