

## FTS 800 4X4 FTS 800 4X4 CREW



### WEIGHT RATINGS\*

<b>GVM</b>	13,900 kg
<b>GCM</b>	26,500 kg 20,500 kg auto

### ENGINE

<b>POWER</b>	191 kW @ 2,400 rpm
<b>TORQUE</b>	761 Nm @ 1,450 - 2400 rpm

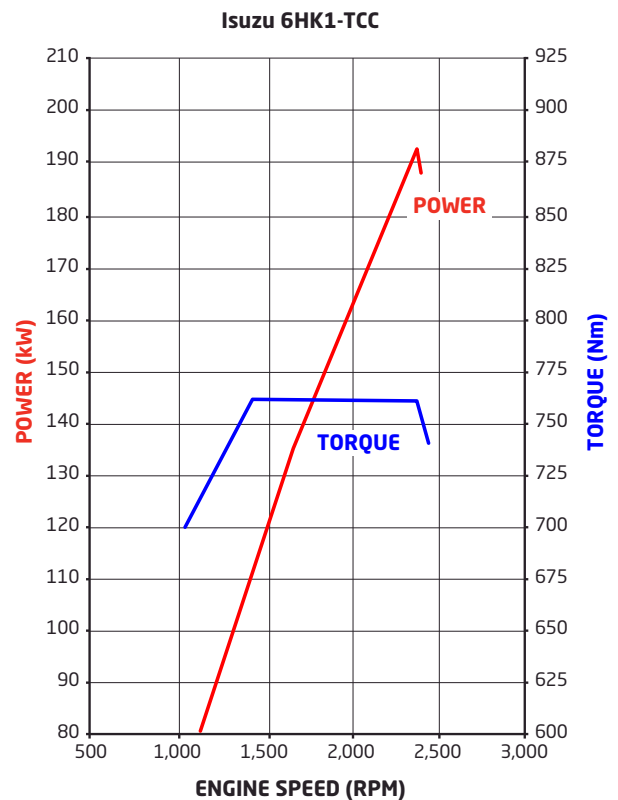
### TRANSMISSION

6 speed manual transmission (MT)
6 speed automatic transmission (AT)

\* Refer to back page for detailed weight rating information

ENGINE	
<b>DESCRIPTION</b>	Isuzu 6HK1-TCC
<b>TYPE</b>	6 cylinder 24 valve SOHC
<b>DISPLACEMENT</b>	7,790 cc
<b>COMPRESSION RATIO</b>	17.5:1
<b>BORE X STROKE</b>	115 mm x 125 mm
<b>POWER</b>	191 kW (260PS) @ 2,400 RPM (DIN NET)
<b>TORQUE</b>	761 Nm @ 1,450 RPM - 2,400 RPM (DIN NET)
<b>INDUCTION</b>	Electronically controlled variable nozzle turbocharger with air-to-air intercooler.
<b>FUEL INJECTION</b>	Direct injection high pressure common rail system.
<b>ENGINE PTO (PTO MODEL)</b>	0.7 x engine speed. 353 Nm maximum output torque.
<b>EMISSION CONTROL</b>	Cooled EGR with exhaust Diesel Particulate Diffuser (DPD). ADR 80/03 (Euro V / EEV) compliant.

INTELLIGENT SAFETY		
<b>ACTIVE SAFETY</b>	Anti Lock Braking System (active in high range)	<b>(ABS)</b>
	Hill Start Aid - except AT models	<b>(HSA)</b>
	Cab Tilt Warning	<b>(CTW)</b>
<b>PASSIVE SAFETY CABIN OCCUPANT SAFETY SYSTEMS (COSS)</b>	Driver & front passenger airbags	
	Driver & front left hand passenger seatbelt pretensioners	
	ECE-R29 cab with side anti-intrusion beams	



ISUZU WARRANTY COVER	
<b>WARRANTY</b>	3 year / 150,000 km Warranty#

TRANSMISSION							
MT	CLUTCH	<b>Type:</b> Single plate with air assisted hydraulic control					
		<b>Clutch plate diameter:</b> 381 mm					
		<b>Clutch lining area:</b> 1,363 cm <sup>2</sup>					
	GEARBOX	<b>Description:</b> Isuzu MZW-6P					
		<b>Type:</b> 6 speed with synchromesh on gears 2-6					
<b>Ratios:</b>							
<b>1st</b>		<b>2nd</b>	<b>3rd</b>	<b>4th</b>	<b>5th</b>	<b>6th</b>	<b>Rev</b>
	6.615	4.095	2.358	1.531	1.000	0.722	6.615
<b>Power Take Off facility:</b> PTO provision on LHS of transmission case							
<b>Other features:</b> Air assisted shift, full pressure oil lubrication							
AT	<b>Description:</b> Allison LCT2500						
	<b>Type:</b> 6 speed automatic						
	<b>Ratios:</b>						
	<b>1st</b>	<b>2nd</b>	<b>3rd</b>	<b>4th</b>	<b>5th</b>	<b>6th</b>	<b>Rev</b>
		3.51	1.90	1.44	1.00	0.74	0.64
<b>Power Take Off facility:</b> LHS and RHS PTO openings on transmission case. Torque convertor turbine driven PTO drive gear.							
<b>Other features:</b> Allison long life TranSynd synthetic fluid							
GEARBOX TRANSFER	<b>Description:</b> Isuzu TF56						
	<b>Type:</b> Full time 4WD with lockable centre differential						
	<b>Ratio:</b> High: 1.00, Low: 1.913						

AXLES	
FRONT	<b>Description:</b> Isuzu FD052
	<b>Type:</b> Single drive with Birfield outer joints
	<b>Other features:</b> Permanently engaged front hubs
	<b>Capacity:</b> 5,200 kg
	<b>Ratio:</b> 5.857:1 (MT models), 6.500:1 (AT models)
REAR	<b>Description:</b> Isuzu R100
	<b>Type:</b> Single drive
	<b>Other features:</b> "No Spin" differential lock
	<b>Capacity:</b> 10,000 kg
	<b>Ratio:</b> 5.857 (MT models), 6.500 (AT models)

SUSPENSION	
FRONT	<b>Type:</b> Single stage alloy steel taper-leaf springs
	<b>Other features:</b> Double acting hydraulic shock absorbers
REAR	<b>Type:</b> Multi-leaf main spring, multi leaf helper spring

BRAKES	
<b>TYPE</b>	Air over hydraulic dual circuit front and rear drum brakes.
<b>DIAMETER X WIDTH FRONT</b>	410 x 140mm
<b>DIAMETER X WIDTH REAR</b>	410 x 140mm
<b>PARK BRAKE</b>	Spring park brake acting on all rear wheels
<b>AUXILIARY BRAKE</b>	Air controlled exhaust brake

STEERING	
<b>TYPE</b>	Power assisted recirculating ball
<b>GEAR RATIO</b>	18.1 - 22.4:1
<b>TURNS LOCK TO LOCK</b>	3.5
<b>WHEEL LOCK ANGLE</b>	34° (inside wheel) / 29° (outside wheel)

WHEELS & TYRES		
FRONT	<b>Wheels:</b>	22.5 x 7.50 eight stud steel wheels
	<b>Tyres:</b>	11R22.5 148/145K Michelin XZY 3 Tubeless
	<b>Steer axle tyre rating</b>	6,300 kg
REAR	<b>Wheels:</b>	22.5 x 7.50 eight stud steel wheels
	<b>Tyres:</b>	11R22.5 148/145K Michelin XDY 3 Tubeless
	<b>Drive axle tyre rating:</b>	11,600 kg
<b>Spare:</b> Spare wheel and tyre assembly supplied. Winch type carrier.		

CHASSIS FRAME	
<b>TYPE</b>	Cold rivetted ladder frame with parallel side rails
<b>MATERIAL</b>	SAPH440 steel sidemembers
<b>DIMENSIONS</b>	<b>Side rail (mm):</b> 253 x 85 x 7.5 <b>Rear frame width (mm):</b> 850

FUEL TANK	
<b>TYPE</b>	Frame mounted steel fuel tank
<b>CAPACITY</b>	200L
<b>FUEL CAP</b>	Lockable

ELECTRICAL SYSTEM	
<b>TYPE</b>	24 volt
<b>ALTERNATOR</b>	90 amp
<b>STARTER MOTOR</b>	5.0 kW
<b>BATTERY</b>	<b>Single cab:</b> 2 x 115E41L (651 CCA) batteries connected in series <b>Crew cab:</b> 2 x 80D26L (630 CCA) batteries connected in series
<b>CAN BUS PROVISION</b>	Underdash CAN system access plug for connection to a Fleet Management System (FMS) (not supplied)

CABIN GENERAL FEATURES	
<b>ENGINE ACCESS</b>	<b>Single cab:</b> Manual cab tilt to 45° with torsion bar assistance <b>Crew cab:</b> Electro-hydraulic cab tilt
<b>STEPS</b>	Heavy duty anti slip steps
<b>DOORS</b>	90° opening internally reinforced front doors
<b>MIRRORS</b>	Heated and powered exterior main mirrors with flat glass & additional independantly adjustable convex "spot" mirrors
<b>WIPERS</b>	Two speed windscreen wipers with intermittent wipe mode
<b>EXTERIOR LIGHTING</b>	Halogen main beam and halogen high beam headlamp assembly Roof mounted clearance lamps
<b>AUDIBLE WARNING</b>	Reverse alarm
<b>GRILLE</b>	Body coloured
<b>FRONT BUMPER</b>	Body coloured
<b>SECURITY</b>	Central locking with remote keyless entry & immobiliser

CABIN INTERIOR	
<b>SEATING</b>	Isri 6860/875 NTS air suspension driver's seat Isri 6860/875 NTS air suspension front passenger seat & front centre seat with folding seat back <b>Crew cab:</b> Rear bench seat with 4 seat capacity
<b>SEATBELTS</b>	3-point lap sash seatbelts in all outboard seating positions. Driver and outboard front passenger seatbelt integrated with seat. Centre seat lap belts.
<b>STEERING COLUMN</b>	Tilt / telescopic adjustable
<b>ENTRY ASSIST GRIPS</b>	Door & roof pillar mounted
<b>DOOR WINDOWS</b>	Electric control
<b>STORAGE</b>	Overhead compartments Twin cup holders Centre console box & storage tray Front door pockets
<b>POWER OUTLET</b>	24V cigarette lighter
<b>AIRCONDITIONING</b>	Manual control
<b>INTERIOR LIGHTING</b>	Fluorescent lamp
<b>REAR COMPARTMENT</b>	<b>Single cab:</b> ADR 42 compliant sleeper

AUDIO VISUAL UNIT	
<b>SCREEN TYPE</b>	6.2" LCD with capacitive touch
<b>OPERATING SYSTEM</b>	Android
<b>RADIO</b>	AM / FM
<b>INTERNAL STORAGE CAPACITY</b>	32GB
<b>OTHER CAPABILITY</b>	Bluetooth features. USB 3.0 socket. Provision for external camera inputs, navigation, reverse sensors, and tyre pressure monitoring.

DRIVER CONTROLS	
<b>SAFETY SYSTEMS</b>	HSA on/off/sensitivity adjust (except AT models) Idle speed control
<b>ENGINE</b>	Cruise control DPD manual regeneration switch
<b>TRANSMISSION (AT ONLY)</b>	T-bar gear selection control
<b>GENERAL CONTROLS</b>	Headlamp on/off, windscreen wipers (2 speed and intermittent modes), washers, exhaust brake, turn signals, high/low range and centre differential lock switches

INSTRUMENTATION	
<b>MULTI INFORMATION DISPLAY</b>	CTW indicator Vehicle systems status Low fuel level alert Fuel consumption information Service interval alerts Hourmeter Adjustable vehicle speed warning
<b>GENERAL INSTRUMENTATION</b>	Speedometer & tachometer Digital odometer with integrated dual tripmeters Engine coolant temperature, fuel level and air pressure guages

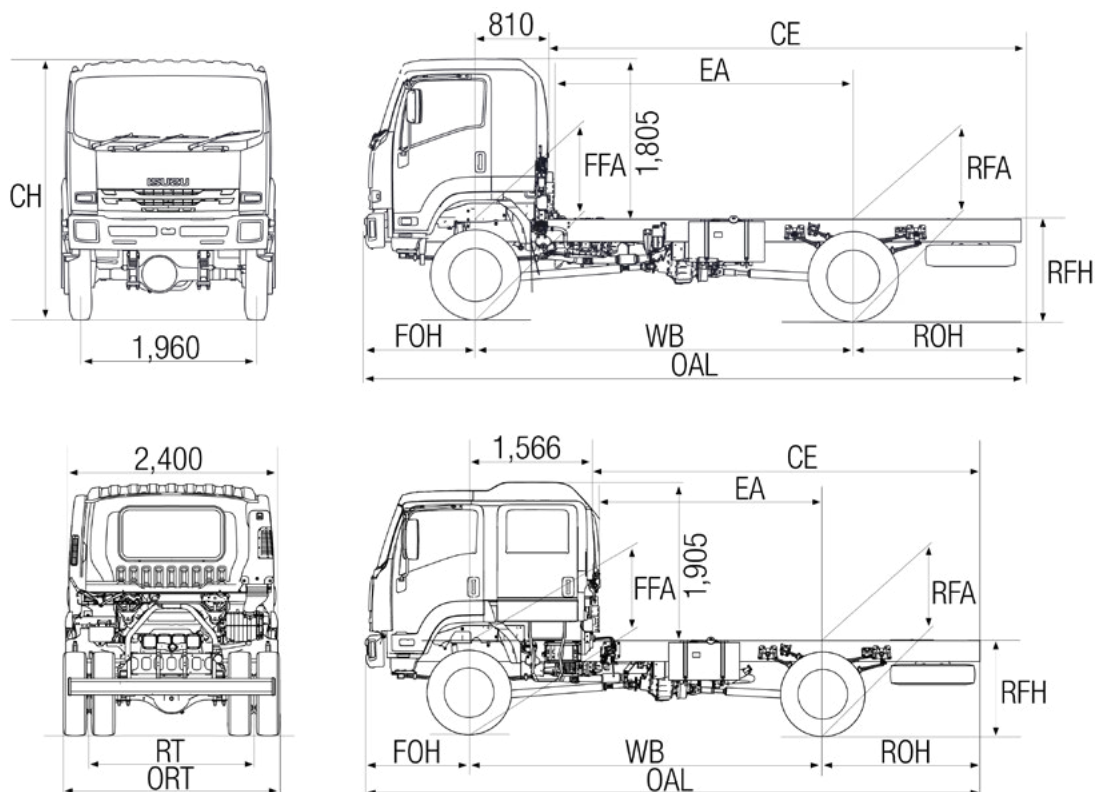
WEIGHTS (kg)							
MODELS	RATINGS*		LOADING LIMIT* (at ground)		CAB CHASSIS WEIGHT #		
	GVM	GCM	FRONT	REAR	FRONT	REAR	TOTAL
FTS 800 4X4	13,900	26,500	5,200	8,200	3,225	2,040	5,265
FTS 800 4X4 AUTO	13,900	20,500**	5,200	8,200	3,175	2,060	5,235
FTS 800 4X4 CREW	13,900	26,500	5,200	8,200	3,325	2,100	5,425
FTS 800 4X4 AUTO CREW	13,900	20,500**	5,200	8,200	3,275	2,120	5,395

\* Vehicle ratings and front/rear weight limits are subject to government regulatory requirements and weight distribution analysis. Consult your Isuzu dealer to select the correct vehicle for your specific application.

\*\* Pre-approved ratings as stated apply for general transport and distribution applications. For other applications approval from Allison is required.

# Cab chassis only as supplied and including 10 litres of fuel.

DIMENSIONS (mm)													
MODELS	WB	OAL	FOH	ROH	EA	CE	RT	ORT	CH	FFA (unladen)	RFA (unladen)	RFH (unladen)	TURNING CIRCLE KERB TO KERB (m)
FTS 800	4,250	7,405	1,255	1,900	3,350	5,340	1,795	2,365	2,935	1,125	1,185	1,220	17.5
FTS 800 AUTO	4,250	7,405	1,255	1,900	3,350	5,340	1,795	2,365	2,935	1,145	1,240	1,285	17.5
FTS 800 CREW	4,250	7,405	1,255	1,900	2,625	4,648	1,795	2,365	3,070	1,120	1,185	1,220	17.5
FTS 800 AUTO CREW	4,250	7,405	1,255	1,900	2,625	4,648	1,795	2,365	3,090	1,140	1,245	1,290	17.5



PERFORMANCE (calculated - typical paved road)				
		GEARED SPEED~ (top gear at peak power engine rpm)	LOW SPEED GRADEABILITY (lowest forward gear assuming no wheel slip)	ENGINE SPEED (top gear at 90 km/h)
FTS 800 4X4	at 13,900 kg GVM	111 km/h @ 2,400 rpm	70%	1,954 rpm
FTS 800 4X4 AUTO	at 13,900 kg GVM	112 km/h @ 2,400 rpm	65%	1,922 rpm

\* Maximum speed achievable depends on vehicle frontal area as well as other factors. Consult your Isuzu dealer for more detailed information.

ORDER CODES		# 3 Year Warranty (36 months / 150,000kms) cover is 36 months or 150,000kms, whichever comes first. Cab Perforation Corrosion is limited to 36 months / unlimited kms on all models.
MODELS	CODES	The information in this spec sheet was correct at time of printing, but all measurements, specifications and equipment are subject to change without notice. Some equipment may have been changed and/or is available at extra cost. Isuzu New Zealand (INZ) may make changes at any time without notice, in prices, colours, materials, equipment and models. INZ makes all reasonable attempts to ensure the availability of all vehicles and equipment. The information in this spec sheet is general in nature. Your Isuzu dealer can confirm all measurements, specifications and vehicle / equipment availability upon request. To the extent permitted by the law, INZ is not liable to any person as result of reliance on the content of this spec sheet.
FTS 800	FT0722	
FTS 800 4X4 AUTO	FT1022	
FTS 800 4X4 PTO	FT0822	
FTS 4X4 CREW	FT0922	
FTS 4X4 AUTO CREW	FT1122	