



ISUZU

TRUCKS YOU CAN RELY ON

SPECIFICATIONS

Advanced Safety Features:

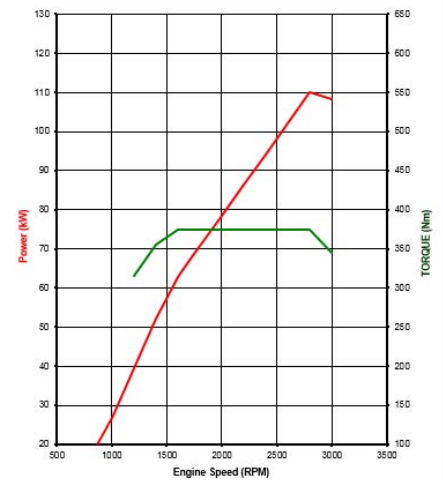
- ✓ Advanced Emergency Brake System (AEBS) with distance warning
- ✓ Electronic Vehicle Stability Control (EVSC)
- ✓ Lane Departure Warning System (LDWS)



*AMT transmission models 8,000Kg GCM

| MODEL | |
|-------|--|
| | |
| | |
| | |
| | |
| | |

| ENGINE | | | |
|-------------------------|--|-------------------|--|
| Engine Model | | Type | |
| Displacement | | Compression Ratio | |
| Max Power (DIN Nett) | | | |
| Max Torque (DIN Nett) | | | |
| Emission Control System | | | |
| Fuel System | | | |
| Air Intake System | | | |



| CLUTCH | | PERFORMANCE | |
|--------|--|-------------|--------------|
| | | | Speed Limit: |
| | | | |

| TRANSMISSION | |
|--------------|--|
| | |
| | |
| | |
| | |
| | |

| AXLES | |
|-------|--|
| | |
| | |
| | |

| WHEELS AND TYRES | |
|------------------|--|
| | |
| | |
| | |
| | |

| CHASSIS | | | |
|------------|---------|--------|-----------------------|
| Suspension | Chassis | Brakes | Electrical & Steering |
| | | | |



ISUZU

TRUCKS YOU CAN RELY ON

SPECIFICATIONS

CAB AND INTERIOR

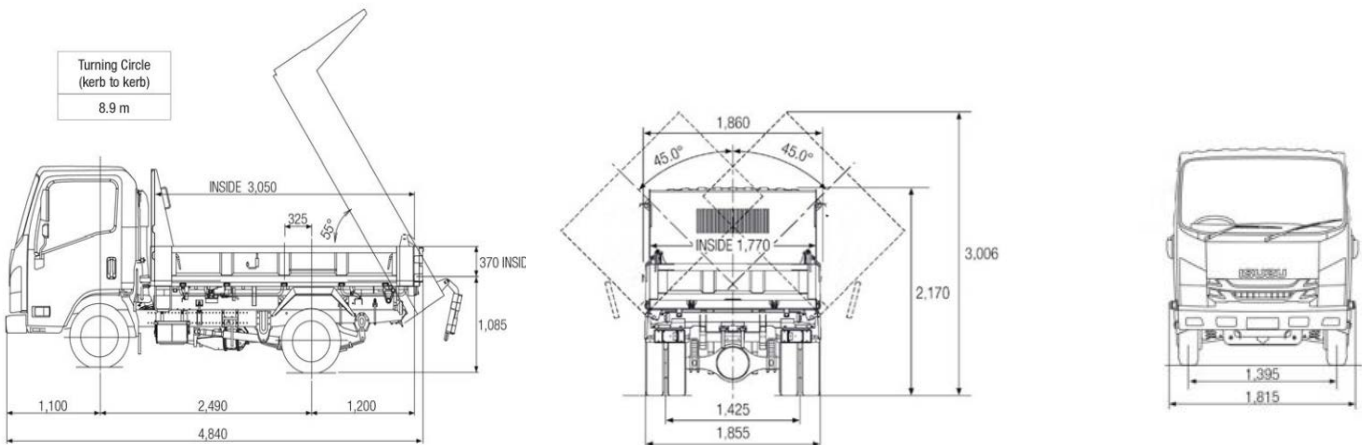
| Cab Exterior | Cab Interior | Instruments and Controls |
|--------------|--------------|--------------------------|
| | | |

WEIGHTS (KG)

| Model Codes | Models | Ratings* | | Loading Limits (at ground)* | | Chassis Cab Tare Mass** | | |
|-------------|--------|----------|-----|-----------------------------|------|-------------------------|------|-------|
| | | GVM | GCM | Front | Rear | Front | Rear | Total |
| | | | | | | | | |
| | | | | | | | | |

* Vehicle ratings and front and rear mass limits are subject to regulatory requirements – Consult your dealer to select a specific vehicle to suit your requirements

** Chassis cab as supplied from the factory including 10 litres of fuel



WARRANTY

| | |
|--|--|
| | |
|--|--|