



# ISUZU

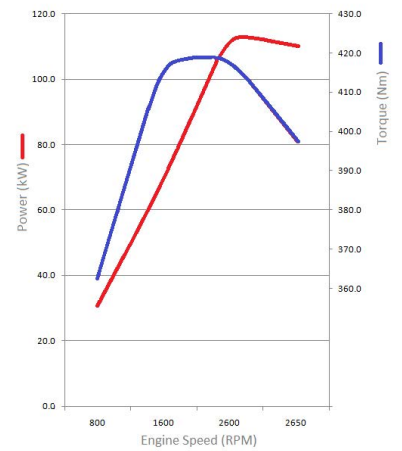
TRUCKS YOU CAN RELY ON

## SPECIFICATIONS



| MODEL |  |  |
|-------|--|--|
|       |  |  |
|       |  |  |
|       |  |  |
|       |  |  |
|       |  |  |

| ENGINE                  |  |                   |  |
|-------------------------|--|-------------------|--|
| Engine Model            |  | Type              |  |
| Displacement            |  | Compression Ratio |  |
| Max Power (DIN Nett)    |  |                   |  |
| Max Torque (DIN Nett)   |  |                   |  |
| Emission Control System |  |                   |  |
| Fuel System             |  |                   |  |
| Air Intake System       |  |                   |  |



| CLUTCH |  | PERFORMANCE |              |
|--------|--|-------------|--------------|
|        |  |             | Speed Limit: |
|        |  |             |              |

| TRANSMISSION |  |
|--------------|--|
|              |  |
|              |  |
|              |  |
|              |  |
|              |  |

| AXLES |  |
|-------|--|
|       |  |
|       |  |
|       |  |

| WHEELS AND TYRES |  |
|------------------|--|
|                  |  |
|                  |  |
|                  |  |

| CHASSIS    |         |        |                       |
|------------|---------|--------|-----------------------|
| Suspension | Chassis | Brakes | Electrical & Steering |
|            |         |        |                       |



# ISUZU

TRUCKS YOU CAN RELY ON

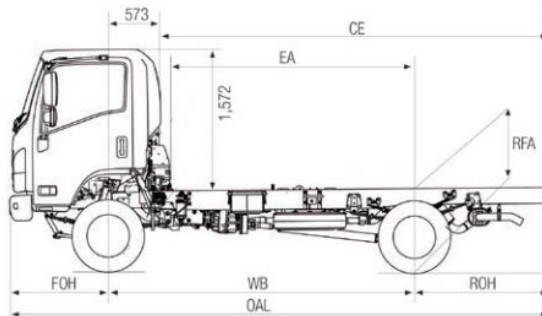
## SPECIFICATIONS

| CAB AND INTERIOR |              |                          |
|------------------|--------------|--------------------------|
| Cab Exterior     | Cab Interior | Instruments and Controls |
|                  |              |                          |

| WEIGHTS (KG) |        |          |     |                             |      |                         |      |       |
|--------------|--------|----------|-----|-----------------------------|------|-------------------------|------|-------|
| Model Codes  | Models | Ratings* |     | Loading Limits (at ground)* |      | Chassis Cab Tare Mass** |      |       |
|              |        | GVM      | GCM | Front                       | Rear | Front                   | Rear | Total |
|              |        |          |     |                             |      |                         |      |       |
|              |        |          |     |                             |      |                         |      |       |
|              |        |          |     |                             |      |                         |      |       |

\* Vehicle ratings and front and rear mass limits are subject to regulatory requirements – Consult your dealer to select a specific vehicle to suit your requirements  
 \*\* Chassis cab as supplied from the factory including 10 litres of fuel

| DIMENSIONS (mm) *Unladen condition |  |  |  |  |  |  |  | Turn Circle (m) |
|------------------------------------|--|--|--|--|--|--|--|-----------------|
|                                    |  |  |  |  |  |  |  |                 |
|                                    |  |  |  |  |  |  |  |                 |



| WARRANTY |
|----------|
|          |